



PREDATOR UPS

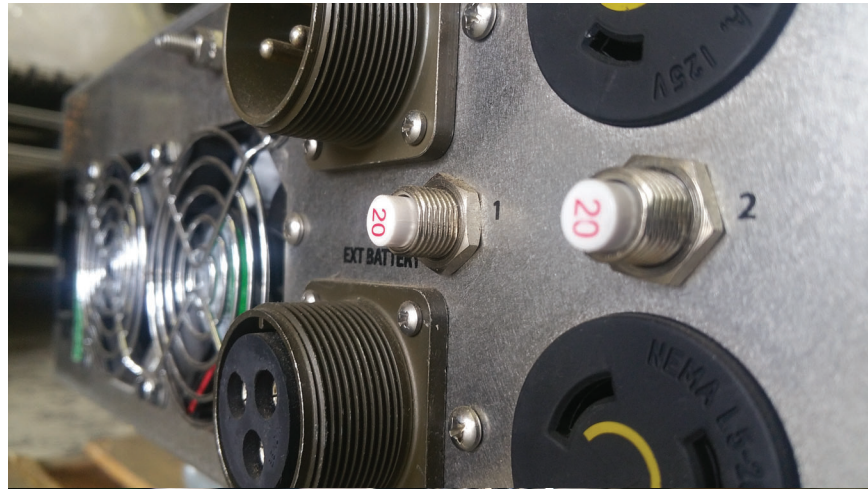
MIL SPEC UPS SYSTEMS FROM 1kVA to 10kVA

Rack and Tower MIL SPEC UPS Systems

The Predator Series UPS is designed for high reliability **MIL SPEC, SHIPBOARD**, and **RUGGED** applications. Power ranges from 1kVA to 10kVA. With its high-frequency, double-conversion online topology, providing nonstop clean sine wave power, advanced communications and space-saving rack and tower designs, the Predator Series is the ideal power solution for networks, web servers, telecommunications applications and other mission critical electronic equipment.

In addition to its proven rugged design, the Predator series offers Advanced Battery Management (ABM) and sophisticated communications to provide maximum system availability. ABM uses a three-stage charging technique that not only doubles the service life of the battery but optimizes the charging time.

The Predator UPS series's communications are flexible, allowing for local, network or remote monitoring and management. The Predator UPS includes the latest version of Raptor's UPSMON Software Suite, which provides power monitoring and shutdown capability.



Key Features

- Land or Shipboard Applications
- On-Line UPS Design
- Pure Sinewave Output
- Double Conversion Technology
- High Efficiency Mode
- Advance Battery Management (ABM)
- Simple and Clear LCD Panel
- Overload, Surge, Short Circuit Protection
- Designed for Rugged Applications
- Rack & Tower Type Enclosures
- Free-Run Mode
- **Less than 3% THD** at Linear Load
- Built to meet MIL 810, MIL 901D Grade B, MIL 1399
- Grade A & MIL Certifications Available

MIL 810

MIL 901D

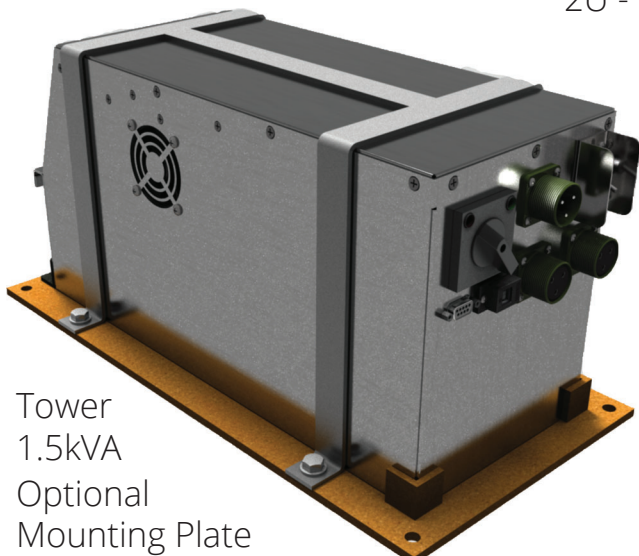
MIL 1399

MIL 167

Built to meet the above standards. Certifications available for an additional fee. MIL 461 and Grade A available for an additional fee.



2U - 3kVA



Tower
1.5kVA
Optional
Mounting Plate

Rack Mount Specification

Model	PSR	PSR	PSR	PSR	PSR	PSR	PSR	PSR
	1000	1500	2000	3000	2000	3000	6000	10000
					(2U+2U)	(2U+2U)		
Capacity (VA)	1000	1500	2000	3000	2000	3000	6000	10K
Capacity (Watts)	900	1350	1800	2700	1800	2700	5400	9K
Form	Tower or Rack							
Phase	Single Phase							
Energy Saving	Yes - ECO mode Efficiency > 94%							
INPUT								
Voltage	100 / 110 / 115 / 120 / 127 / 208 / 220 / 230 / 240 Vac						208 / 220 / 230 / 240 Vac	
Voltage Range	110 Vac	60 ~ 144 Vac < 25% Load					120 ~ 276 Vac < 25% Load	
		70 ~ 144 Vac < 50% Load					140 ~ 276 Vac < 50% Load	
		80 ~ 144 Vac < 75% Load					160 ~ 276 Vac < 75% Load	
		90 ~ 144 Vac < 100% Load					180 ~ 276 Vac < 100% Load	
	220 Vac	120 ~ 276 Vac < 25% Load						
		140 ~ 276 Vac < 50% Load						
		160 ~ 276 Vac < 75% Load						
		180 ~ 276 Vac < 100% Load						
Frequency Range	50 / 60 Hz (Auto Sensing)							
Power Factor	> 0.97							
Cold Start	Yes							
OUTPUT								
Rated Power Factor	0.9							
Waveform	Pure Sine Wave							
Voltage	100 / 110 / 115 / 120 / 127 / 208 / 220 / 230 / 240 Vac ± 2%						208 / 220 / 230 / 240 Vac ± 2%	
Frequency	50 / 60 Hz ± 0.25 Hz							
Transfer Time	0 ms							
Harmonic Distortion	2.5% THD at Linear Load						3% THD at Linear Load	
Crest Factor	3:01							
EPO Function	Option							
PROTECTION								
Overload	Line Mode	105% - 120% for 30 seconds						
		121% - 150% for 10 seconds						
	Battery Mode	101% - 109% for 10 seconds						
		110% - 120% for 3 seconds						
Surge Protection	IEC 61000-4-5 Level 3							
Bypass	Internal Bypass(Automatic and Manual)							
Short Circuit Protection	UPS Output Cut Off Immediately							
BATTERY								
Model	PSR-1000	PSR-1500	PSR 2000	PSR 3000	PSR 2000	PSR 3000	PSR-6000	PSR-10000
					(2U+2U)	(2U+2U)		
Type	12V 7Ah	12V 7Ah	12V 7Ah	12V 9Ah	12V 7Ah	12V 7Ah	12V 7Ah	12V 9Ah
Quantity	3	4	6	6	6	8	20	20
Sealed, Maintenance Free	YES							
Typical Recharge Time	4 Hr to 90%							
External Battery Module	Option							
External Battery Connector	Option							
MANAGEMENT								
Indicator	LCD Control Panel							
Communication Port	RS232, USB(B-type)							
SNMP Slot	Option							
Audible Alarms	YES							
PHYSICAL								
Power Module	Dimensions (WxDxH) (In)	16.9 x 16.8 x 3.3	16.9 x 19.9 x 3.3	16.9 x 25 x 3.3		16.9 x 16.8 x 3.3	16.9 x 23.5 x 5.2 (3U)	16.9 x 25.9 x 5.2
	Weights (Lbs)	36	39.5	65.7	72	22.3	44.1	55.1
	Shipping Dimensions (WxDxH)(In)	21.5 x 21.7 x 8.1	21.7 x 24.5 x 8.7	21.7 x 29.5 x 8.7		21.5 x 21.7 x 8.1	22.1 x 29.2 x 10.8	22.3 x 31.7 x 8.2
	Weights (Kgs)	42.8	46.3	75	80.7	29.1	53	69

Tower Specification

Model		PST-1000	PST-1500	PST-2000	PST-3000	PST-6000	PST-10000
Capacity (VA)		1000	1500	2000	3000	6000	10000
Capacity (Watts)		900	1350	1800	2700	5400	9000
Form		Tower					
Phase		Single Phase					
Energy Saving		Yes - ECO mode Efficiency > 94%					
INPUT							
Voltage		100 / 110 / 115 / 120 / 127 or 208 / 220 / 230 / 240				208 / 220 / 230 / 240 Vac	
Voltage Range	110 Vac	60 ~ 144 Vac < 25% Load				120 ~ 276 Vac < 25% Load	
		70 ~ 144 Vac < 50% Load				140 ~ 276 Vac < 50% Load	
		80 ~ 144 Vac < 75% Load				160 ~ 276 Vac < 75% Load	
		90 ~ 144 Vac < 100% Load				180 ~ 276 Vac < 100% Load	
	220 Vac	120 ~ 276 Vac < 25% Load					
		140 ~ 276 Vac < 50% Load					
		160 ~ 276 Vac < 75% Load					
		180 ~ 276 Vac < 100% Load					
Frequency Range		50 / 60 Hz (Auto Sensing)					
Power Factor		> 0.97					
Cold Start		Yes					
OUTPUT							
Rated Power Factor		0.9					
Waveform		Pure Sine Wave					
Voltage		100 / 110 / 115 / 120 / 127 or 208 / 220 / 230 / 240				208 / 220 / 230 / 240 Vac ±	
Frequency		50 / 60 Hz ± 0.25 Hz					
Transfer Time		0 ms					
Harmonic Distortion		2.5% THD at Linear Load				3% THD at Linear Load	
Crest Factor		3:01					
EPO Function		Yes					
PROTECTION							
Overload	Line Mode	105% - 120% for 30 seconds					
		121% - 150% for 10 seconds					
	Battery Mode	101% - 109% for 10 seconds					
		110% - 120% for 3 seconds					
Surge Protection		IEC 61000-4-5 Level 3					
Bypass		Internal Bypass(Automatic and Manual)					
Short Circuit Protection		UPS Output Cut Off Immediately					
BATTERY							
Model		PST-1000	PST-1500	PST-2000	PST-3000	PST-6000	PST-10K
Type		12V 7Ah	12V 7Ah	12V 7Ah	12V 7Ah	12V 7Ah	12V 9Ah
Quantity		3	4	6	8	20	20
Sealed, Maintenance Free		YES					
Typical Recharge Time		4 Hr to 90%					
External Battery Module		Option					
External Battery Connector		Option					
MANAGEMENT							
Indicator		LCD Control Panel					
Communication Port		RS232, USB(B-type)					
SNMP Slot		Option					
Audible Alarms		YES					
PHYSICAL							
Power Module	Dimensions (WxDxH) (In)	6 x 16.6 x 9.3	6 x 19.7 x 9.5	7.9 x 16.6 x 14.1		10.2 x 23.3 x 22.5	10.2 x 27.2 x 23.1
	Weights (Lbs)	33.5	43	64	66.4	190	213
	Shipping Dimensions (WxDxH)(In)	11.1 x 21.5 x 14	11.1 x 24.7 x 14	13.4 x 20.7 x 19.1		16.4 x 30 x 31.5	16.1 x 34 x 31.5
	Weights (Lbs)	38.4	47	70	72.5	206	247